



The new W5 Easy Series applicators for hot-melt adhesives are the top innovation on the international market for their simplicity of use, production flexibility, maintenance costs, quick installation, ease of safety standards, exceptional reliability and full integration with any packaging line, granting the maximum operational flexibility. The new microprocessor controls all those operations necessary to the system proper running: thermo-regulation in all different system areas, programming control of 8 glue tracks for each of the 4 independent channels. Additional features are: Economy Function, Clock, Weekly Program, Max. temperature alarm, Sequential Heating of all channels and delay Temperature Set Point lock.



NEW MELTING TANK

A large loading inlet, opened on three sides, makes the 5 kg tank filling easier.

REMOVABLE COVER

Unique in its category, the cover is quickly removable in order to grant the maximum cleanliness and proper maintenance.

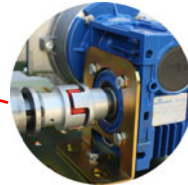
LCD DISPLAY

A new LCD display (specifically designed) graphically shows all the machine sections (tank, manifold, hoses and guns with respective parameters), allowing an immediate and extremely easy system programming also by unskilled operators, eliminating problems generated by codes and foreign languages to understand and meaning that the displays are all the same, independently of the country of use. A specific notification area controls the system status constantly and dynamically in all its operation phases. In case of eventual alarms or faults error messages are displayed.



INNOVATIVE PROGRAMMING

Another innovative feature of the new Easy Series is the "Rotary Switch": the selector through which it is possible, with extreme easiness, to program, modify and set section by section all those parameters intended for the system running.

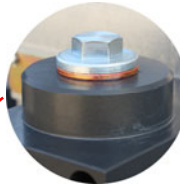
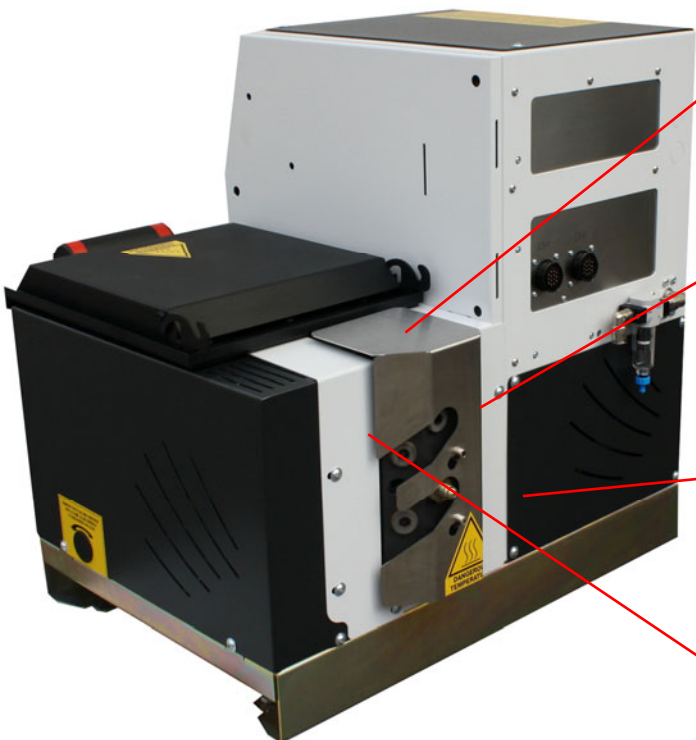


GEAR MOTOR

The applicators are fitted with variable speed AC motors controlled by inverter positioned horizontally so as to have reduced overall dimensions and ease to access both for inspection and maintenance, thanks to a quick connector and to an easy to open body system.

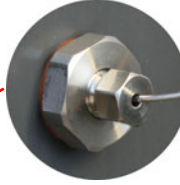
ACCESSIBILITY

All the internal parts of the applicator are easy to inspect thanks to a body system easy to open.



GLUE FILTER

Easy to access and replace, it ensures a better distribution of the adhesive preventing the nozzle clogging due to the presence of impurities in the adhesive.



PRESSURE CONTROL DEVICE

A sophisticated control system shows on the applicator display the adhesive output pressure in the manifold. This visualisation is comparable to a traditional digital pressure gauge indicating the adhesive pressure in bar.



HIGH PRECISION GEAR PUMP

With the same dimensions it is possible to choose between gear pumps of different capacity. Absolute precision and reliability, they are made of super-quick steel and are fully hardened. Like all the inside parts of the applicator, also the pump is easy to remove in case of maintenance or replacement.



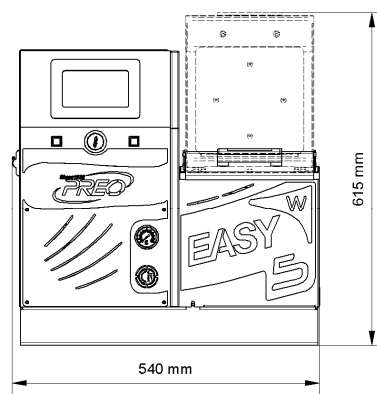
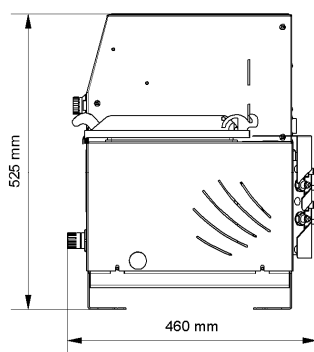
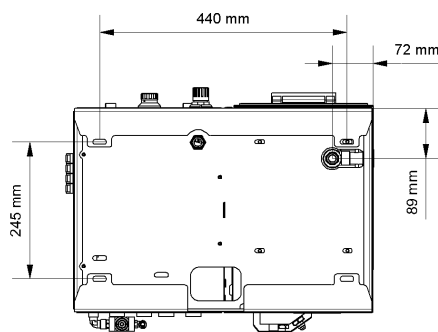
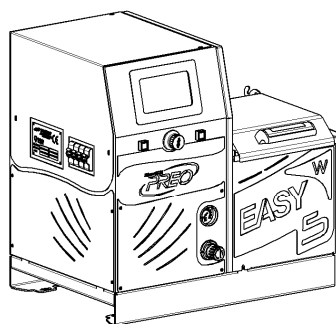
QUICK PRESSURE RELEASE AND REGULATION VALVE

It keeps the pressure set constant and ensures the utmost safety during the system use by and releasing the adhesive pressure into the system in an automatic and safe manner, even in the event of an emergency.

EASY SERIES W5



TECHNICAL SPECIFICATIONS



GENERAL SPECIFICATIONS

ADHESIVE TYPOLOGY AND VISCOSITY	hot-melt up to 70.000 Cps
OPERATING TEMPERATURE	50°C±210°C (120°F±410°F) standard version - 50°C±230°C (120°F±450°F) HT high temperature version
HOSE/GUN CONNECTIONS	2, 4 (fitting thread 1/2"x20 UNF)
TANK CAPACITY	5 kg (11 lb)
MELTING RATE	6 kg/h (depending on used adhesive)
WEIGHT (EMPTY)	54 kg (119 lb)
MACHINE DIMENSIONS (L x H x W MM)	540 x 615 x 460 mm
TANK OPENING DIMENSIONS (MM)	178 x 160 mm
TANK	internally coated with PTFE scratch-resistant non-stick treatment, heated gills, quick drain valve and removable cover
MANIFOLD	coated with hard oxidation treatment and glue filter integrated
WARM-UP TIME	35'±40' starting from ambient temperature (0°C±45°C (32°F±113°F))
FASTENING	buttonhole for M8 screws

ELECTRICAL SPECIFICATIONS

VOLTAGE	1/N/PE AC 230 V ±10% 50/60 Hz, 3/N/PE AC 400 V ±10% 50/60 Hz
POWER CONSUMPTION	2,4 kW (11 A) (no hoses and guns)

MICROPROCESSOR SPECIFICATIONS

TEMPERATURE CONTROL	PT100 ±0,5°C (1°F) – RTD or Ni120 (on request)
MICROPROCESSOR TYPOLOGY	by graphic interface with LCD display 240x128 pixels LED back lighted and rotary switch programming selector
FUNCTIONS	Economy, Clock, Weekly Program, Maximum Temperature Alarm, Sequential Heating Zones
SAFETY	by-pass safety valve, over-temperature automatic protection, emergency stop input alarm, glue pressure release
OPTIONS	low level sensor, quick pressure release valve and flow regulation, integrated glue pattern control, automatic granule feeder

GEAR PUMP SPECIFICATIONS

PUMP TYPE	gear single flow
PUMP MAXIMUM SPEED	3,0-7,0 cc/rev (80 rpm)
MAXIMUM PUMP RATE	14 kg/h (3,0 cc/rev pump) - 33 kg/h (7,0 cc/rev pump) (depending on used adhesive)
MOTOR SPECIFICATIONS	0,25 kW variable speed reduction gear 1:20 inverter-controlled
MAXIMUM WORKING PRESSURE	55 bar

© Copyright 2009 PREO SRL - All rights reserved - Subject to change without advanced notice - Printed in Italy - Edition EN-101 EASY W05 - 29/06/2010

PREO S.r.l.

Via Alessandro Volta, 7 • 20094 Corsico (MI) • Italia
 tel. (+39) 02 48601260 • fax (+39) 02 4503323
 www.preo.it • italia@preo.it • world@preo.it



YOUR
QUALITY
CHOICE